



**EPA Certified / Stationary Emergency**

OUTPUT POWER OPTIONS					Natural Gas STANDBY RATING		LP Vapor STANDBY RATING		sKVA
Make	Voltage	Alternator	Phase	Hertz	kW/kVA	Amps	kW/kVA	Amps	30% Voltage Dip
Stamford	600	S4L1S-D4-17	3	60	250/213	301	200/250	241	850
	277/480	S4L1D-D41-311	3	60	250/313	376	200/250	301	980
	120/208	S4L1D-D41-311	3	60	250/313	868	200/250	695	755
	120/240	S4L1D-D41-311	3	60	250/313	753	200/250	602	755
Marathon	600	432PSL6246	3	60	250/313	301	200/250	241	930
	277/480	432CSL6210	3	60	250/313	376	200/250	301	930
	120/208	432CSL6210	3	60	250/313	868	200/250	695	699
	120/240	432CSL6210	3	60	250/313	753	200/250	602	699
	120/240	432CSL6210	1	60	201/201	838	155/155	646	267
Marathon	277/480	433CSL6216	3	60	250/313	376	200/250	301	1424
	120/208	433CSL6216	3	60	250/313	868	200/250	695	1069
	120/240	433CSL6216	3	60	250/313	753	200/250	602	1069
	120/240	433CSL6216	1	60	241/241	1004	160/160	667	430
	120/240	431CSL6208	3	60	200/250	602	130/163	391	522
	120/240	431CSL6208	1	60	166/166	692	130/130	542	185



**Engine Data**

Manufacturer	PSI	
Model	14.6L	
Aspiration	Turbocharged	
Arrangement	V-8, 4-Cycle	
Firing Order	1-5-7-2-6-3-4-8	
Displacement: L (in. <sup>3</sup> )	14.62 (892)	
Bore: mm (in.)	128.00 (5.04)	
Stroke: mm (in.)	142.00 (5.59)	
Compression Ratio	10.5:1	
Gross Horsepower: Natural Gas	456	
LP Vapor	322	
BMEP: psi (kPa)	Natural Gas	225.00 (1551.32)
	LP Vapor	159.00 (1096.27)
Rated RPM	1800	
Governor	Isochronous	
Speed Regulation	±0.50%	

**Engine Liquid Capacity**

Oil System: qt. (L)	29.6 (28.0)
Cooling Capacity: gal (L)	31.6 (119.6)

**Engine Electrical**

Electric Volts: DC	24
Cold Cranking Amps	1100
Battery(s) Required	2

**Fuel System**

Fuel Supply Size:	Natural Gas	3.00" NPT
	LP Vapor	3.00" NPT
Supply Pressure: in. H <sub>2</sub> O (kPa)	7-11 (1.74-2.74)	

**Air Requirements**

Air Filter(s) Type	Dry
Combustion Air Flow: CFM (m <sup>3</sup> /min)	547 (16)
Maximum Air Intake Restriction	
Clean: in. H <sub>2</sub> O (kPa)	3.00 (1.24)
Dirty: in. H <sub>2</sub> O (kPa)	15.00 (3.74)
Radiator Air Flow: CFM (m <sup>3</sup> /min)	29,970 (849)

**Exhaust System**

Gas Temperature: °F (°C)	1005 (541)
Gas Flow: CFM (m <sup>3</sup> /min)	1731 (49)
Max Back Pressure: in. H <sub>2</sub> O (kPa)	40.9 (10.2)

**Filters and Quantity**

Air Cleaner Quantity	1
Oil Filter(s) Quantity	1

**Fuel Consumption - Natural Gas**

At 100% of Power Rating: CFH (m <sup>3</sup> /hr)	2782 (78.8)
At 75% of Power Rating: CFH (m <sup>3</sup> /hr)	2168 (61.4)
At 50% of Power Rating: CFH (m <sup>3</sup> /hr)	1521 (43.1)
At 25% of Power Rating: CFH (m <sup>3</sup> /hr)	928 (26.3)

**Fuel Consumption - LP Vapor**

At 100% of Power Rating: CFH (m <sup>3</sup> /hr)	926 (26.2)
At 75% of Power Rating: CFH (m <sup>3</sup> /hr)	789 (22.4)
At 50% of Power Rating: CFH (m <sup>3</sup> /hr)	532 (15.1)
At 25% of Power Rating: CFH (m <sup>3</sup> /hr)	335 (9.5)

**GENERAL GUIDELINES FOR DERATION:** Altitude: Derate 0.5% per 100m (328 ft.) Elevation above 1000m (3279 ft.) Temperature: Derate 1.0% per 10°C (18°F) temperature above 25°C (77°F)

**RATINGS:** All three-phase units are rated at 0.8 power factor. All single-phase units are rated at 1.0 power factor.

**125° RATINGS:** 125° apply to installations served by a reliable utility source. The standby rating is applicable to varying loads for the duration of a power outage. There is no overload capability for this rating. Ratings are in accordance with ISO-3046/1, BS 5514, AS 2789, and DIN 6271. For limited running time and base load ratings consult the factory. The generator set manufacturer reserves the right to change the design or specifications without notice and without any obligation or liability whatsoever.

## Alternator Data

Manufacturer	Stamford	
Type	PMG	
Insulation Class	NEMA H	
Temperature Rise	125°C Standby	
Hertz	60	
RPM	1800	
Amortisseur Windings	Full	
CFM Cooling Required	2100	
Voltage Regulator	MX341	MX321
Sensing	Single Phase	Three Phase
Voltage Regulation	1.0%	0.50%

## Features

- BS EN 60034, BS5000, VDE 0530, NEMA MG1-32, IEC34, CSA C22.2-100, and AS1359 compliant
- IP23 enclosure
- Dynamically balanced to exceed BS6861:Part 1 Grade 2.5 vibration standard
- Quality assurance to BS EN ISO 9001
- Self-ventilated and Drip proof construction
- Two-thirds pitch stator and skewed rotor
- Heavy duty bearings
- Fully guarded
- Overexcitation protection
- Under frequency protection
- Analog input
- Overvoltage protection
- Paralleling compatible

## Alternator Data

Manufacturer	Marathon	
Type	PMG	
Insulation Class	NEMA N	
Temperature Rise	125°C Standby	
Hertz	60	
RPM	1800	
Amortisseur Windings	Full	
CFM Cooling Required	1020	
Voltage Regulator	DVR2400	PM500
Sensing	Three Phase	Three Phase
Voltage Regulation	0.25%	0.25%

## Features

- NEMA MG1-32, BS5000, and IEC 34-1 compliant; CE & CSA Certified and UL Listed
- Self-ventilated and drip proof construction
- Two-thirds pitch stator and skewed rotor
- Wet wound, epoxied field windings
- Designed to withstand overspeeds of up to 125%
- Hybrid analog/digital voltage regulator
- Under frequency protection
- Under frequency indication light
- Less than one cycle response time
- Over excitation protection
- Over excitation indication light
- Easy access front-panel adjustments
- Over voltage protection shutdown

## Control Panels



### DeepSea 7310 MKII

Simultaneous Use of RS232 & RS485  
 Modbus RTU Support  
 Fully Configurable Using USB, RS232 & RS485  
 IP65 Rating  
 6 Programmable Inputs & 8 Outputs  
 UL & cUL Listed and CE Certified



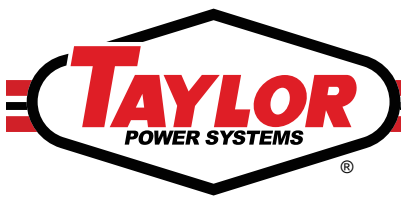
### Basler DGC2020

SAE J1939 Engine ECU Communications  
 4 Programmable Inputs & 10 Outputs  
 Modbus Communications With RS485  
 UL Recognized, CSA & CE Certified  
 IP 54 Front Panel Rating  
 NFPA 110 Level 1 Compatible  
 Manual Override Keyswitch  
 DGC2020HD Variant Available



### Taylor Analog

Automatic CANBUS Engine Control  
 Gauge Zeroing on Shutdown  
 Auto-Off-Manual Control Switch  
 Oil Pressure, Water Temperature, Battery Voltage and RPM Gauges  
 AC Voltage, Frequency, Percent of Load, and Run-Time Metering  
 LED Status Lights



**Standard Features:**

**Warranty**

2 Year Standard
5 Year Comprehensive

- |                                    |                        |
|------------------------------------|------------------------|
| Heavy Duty Steel Base              | Battery Charger        |
| Vibration Isolators                | Block Heater           |
| Oil Drain Valve with Extension     | Factory Powder Coating |
| Coolant Drain Kit                  | Factory Load Test      |
| High Ambient Unit Mounted Radiator | Owner's Manual         |

**Controller Options**

DGC2020HD Controller
Fiber Optic Ethernet (DGC2020HD)
RS-232 Port & Generator Protection (DGC2020)
Flush or Surface Mount Remote Annunciator
Remote Mount Break Glass E-Stop Switch

**Miscellaneous Options:**

- |                        |                         |
|------------------------|-------------------------|
| Generator Strip Heater | Pad Type Battery Heater |
| Spring Isolators       | Battery Heater Blanket  |
| Line Circuit Breaker   | Oil Pan Heater          |

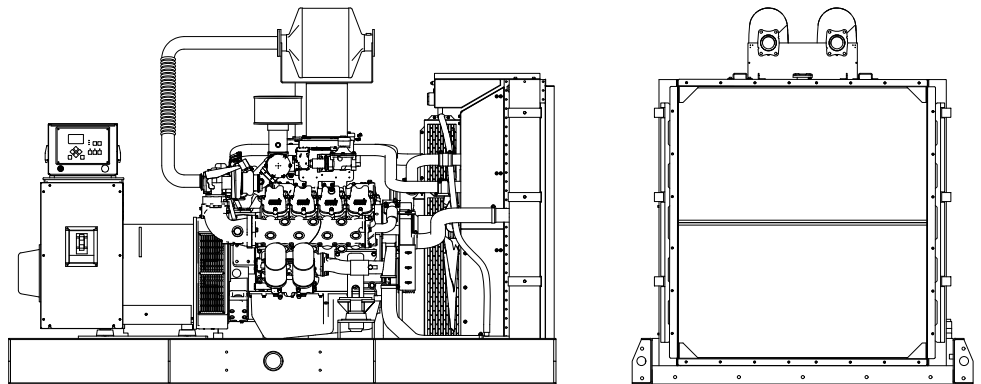
**Open Unit**

**Options:**

- Radiator Duct Flange
- Flex Exhaust
- Critical Silencer

Overall Size: 120"L x 75"W x 82"H  
 Approximate Weight: 8,900 lbs.

*Note: Dimensions and weights reflect standard open unit with no options and are subject to change.*



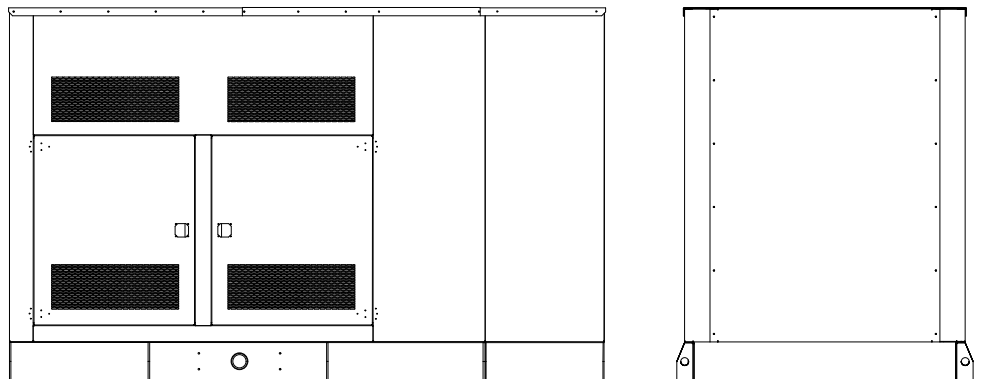
**Standard Enclosed Unit**

**Options:**

- Sound Attenuated Enclosure
- Load Center, Lights & GFI Receptacle

Overall Size: 150"L x 75"W x 102"H  
 Approximate Weight: 10,500 lbs.

*Note: Dimensions and weights reflect standard enclosed unit with no options and are subject to change.*



**Note: The above drawings are provided for reference only and should not be used for planning installation. Contact your local distributor for more information.**